

Call [DolphinLiftsKent.com](http://DolphinLiftsKent.com)  
on 0800 783 5501



# TSL 500 DOMESTIC STEPLIFT

## TSL 500 Domestic Steplift

**Practical:** provides both wheelchair and pedestrian access (when bridging steps are supplied only) at the same doorway – inside or outside

**Easy to use:** convenient controls (remote option available) and shallow approach ramp

**Easy installation:** self contained unit is suitable for mounting on a smooth flat surface, such as concrete or tarmac and can easily be installed in a day

**Cost effective:** often cheaper than a ramp and can be easily re-sited

**Reliable:** battery back-up provides normal operation (up to 30 cycles) in case of power cut

**Low maintenance:** annual servicing recommended. Maintenance contract available

**Safe:** built in the UK to BS 6440 by a Company with over 30 years' experience in mobility and access products

**Versatile:** the lift will travel up to 500mm with a bridging step or alternatively with upper gate protection

## Standard Specification

**Application range:** Can be sited internally or externally for wheelchair users only

**Maximum safe working load:** 250Kg

**Closed height:** 75mm

**Maximum height served:** 500mm

**Power supply electrical requirements:**  
220 / 240V~50 / 60 Hz-13A single phase

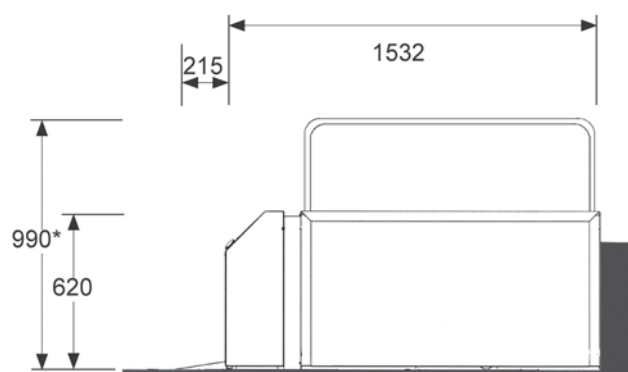
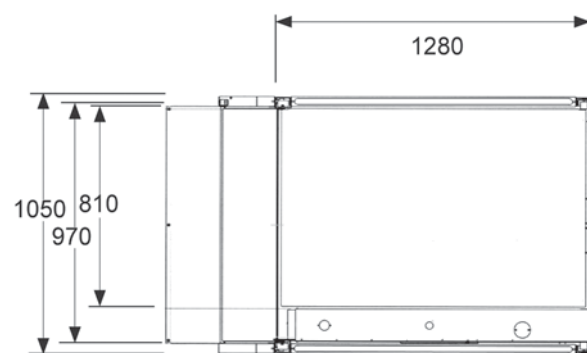
**Low voltage control system:** 24V DC

**Operating temperature range:** -10°C to +40°C

**Safety:** Automatic wheelchair arrestor mechanism and full battery back-up. Constant pressure controls.

**Drive:** Hydraulic scissor mechanism

## TSL 500 Lift Dimensions (in mm)



\*Handrails and single bridge unit shown are optional extras



**Terry**   
total mobility solutions

Terry Group Ltd.  
Longridge Trading Estate,  
Knutsford, Cheshire, WA16 8PR

Tel: 0845 365 5366  
Fax: 0845 365 5367  
email: [sales@terrylifts.co.uk](mailto:sales@terrylifts.co.uk)  
[www.terrylifts.co.uk](http://www.terrylifts.co.uk)

